



#### Key Industries

Aggregates  
Agriculture  
Air Handling

Package Handling  
Construction  
Shipping

#### Accommodates Commercial Grade Shafting

- 1/2" – 2" nominal to -.003"
- 2 1/8" – 2 7/16" nominal to -.004"

#### Mounting Type

- Centrik-Lok CL superior concentric locking with split collar

#### General Bearing Information

- Races – precision-ground and super-finished
- Housings – powder-coated cast iron
- Grease – multi-purpose lithium complex
- Black Oxide – corrosion resistance
- Standard seal – single lip contact with flingers (N)
- Optional seals available
- H – Labyrinth clearance seal
- E3 – Triple-lip seal

#### Housing Options

- Pillow block
- Flange: 2-bolt and 4-bolt flange
- Take-up

#### Shaft Sizes

- 1/2" – 2 7/16"

# Link-Belt®

## Centrik-Lok® CL Series

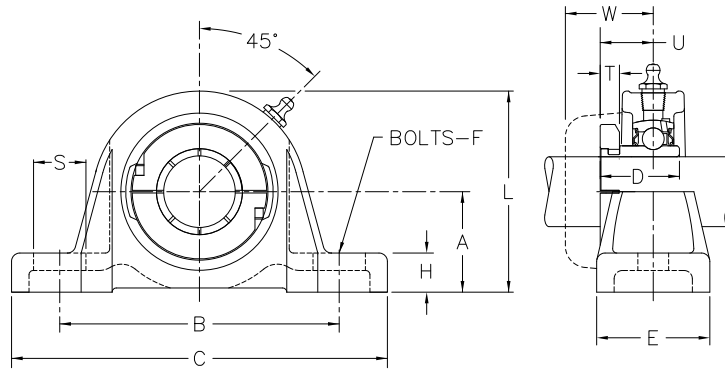
### Normal Duty Bearing

Rexnord proudly introduces an improved design for concentric locking mounted ball bearings. Utilized in demanding applications that require superior holding force, concentric locking provides straightforward installation for longer bearing life and performance.

Link-Belt's new Centrik-Lok CL design features eight gripping tabs to solve the toughest shaft mounting problems. Its unique split collar design utilizes a high-strength socket head cap screw for secure and easy installation. The locking collar yields superior axial holding force. This innovative design provides 20% greater gripping force than the next best competitor.



**REXNORD**



## Dimensions

Shaft Diameter	Part Number	A	B	C	D	E	F	H	L	M	S	T	U	W	Weight (lbs/kg)
1/2	P3CL2B08N	1-5/16	3-7/8	5-1/8	1-11/32	1-1/2	3/8	1/2	2-19/32	1-59/64	11/16	0.345	27/32	1-21/64	1.5
3/4	P3CL212N														
20.00	P3CL2M20N	33.34	98.40	130.20	34.04	38.10	10.00	12.70	65.90	48.77	17.50	8.76	21.34	33.78	0.68
7/8	P3CL214N	1-7/16	4	5-3/8	1-3/8	1-5/8	3/8	9/16	2-7/8	2-5/64	11/16	0.345	13/16	1-5/16	1.9
15/16	P3CL215N														
1	P3CL216N	25.00	101.60	136.50	34.80	41.30	10.00	14.30	73.00	52.83	17.50	8.76	20.57	33.27	0.86
1	P3CL2B16N														
1-1/8	P3CL218N	1-11/16	4-5/8	6-5/16	1-9/16	1-3/4	1/2	11/16	3-5/16	2-15/32	15/16	0.345	61/64	1-15/32	2.8
1-3/16	P3CL219N														
1-1/4	P3CL2E20N														
30.00	P3CL2M30N	42.86	117.50	106.30	39.62	44.40	12.00	17.50	84.10	62.48	23.80	8.76	24.13	37.34	1.27
1-3/16	P3CL2B19N	1-7/8	4-15/16	6-3/8	1-3/4	1-7/8	1/2	13/16	3-11/16	2-7/8	13/16	0.437	1-3/32	1-37/64	3.6
1-1/4	P3CL220N														
1-3/8	P3CL222N														
1-7/16	P3CL223N														
35.00	P3CL2M35N	47.62	125.40	161.90	44.45	47.60	12.00	20.60	93.70	73.15	20.60	11.10	27.69	40.13	1.63
1-7/16	P3CL2B23N	2	5-3/8	7-1/16	1-15/16	1-7/8	1/2	13/16	4	3-3/64	15/16	0.437	1-7/32	1-43/64	4.7
1-1/2	P3CL224N														
1-5/8	P3CL2E26N														
40.00	P3CL2M40N	50.80	136.50	179.40	49.28	47.60	12.00	20.60	101.60	77.47	23.80	11.10	30.73	42.42	2.13
1-1/2	P3CL2B24N	2-1/8	5-5/8	7-1/4	1-61/64	2	1/2	13/16	4-5/16	3-17/64	7/8	0.437	1-13/64	1-11/16	5.3
1-5/8	P3CL226N														
1-11/16	P3CL227N														
1-3/4	P3CL228N														
45.00	P3CL2M45N	53.98	142.90	184.20	49.53	50.80	12.00	20.60	109.50	82.80	22.20	11.10	30.48	42.67	2.40
1-11/16	P3CL2B27N	2-1/4	6-3/16	7-7/8	2-5/64	2-1/8	5/8	7/8	4-1/2	3-5/8	15/16	0.562	1-21/64	1-51/64	6.6
1-3/4	P3CL2B28N														
1-7/8	P3CL230N														
1-15/16	P3CL231N														
2	P3CL2E32N														
50.00	P3CL2M50N	57.15	157.20	200.00	52.58	54.00	16.00	22.20	114.30	92.20	23.80	14.27	33.53	45.72	3.00
1-15/16	P3CL2B31N	2-1/2	6-3/4	9-1/16	2-15/64	2-3/8	5/8	1	5	3-29/32	1-5/16	0.562	1-13/32	1-15/16	7.8
2	P3CL232N														
2-3/16	P3CL235N														
2-1/4	P3CL2E36N														
55.00	P3CL2M55N	63.50	171.40	230.20	56.90	60.30	16.00	25.40	127.00	99.31	33.30	14.27	35.56	49.28	3.54
2-3/16	P3CL2B35N	2-11/16	7-1/2	9-1/2	3-1/16	2-1/2	5/8	1-1/8	5-3/8	4-11/16	1-1/16	0.562	2-1/16	2-13/32	11.0
2-1/4	P3CL236N														
2-3/8	P3CL238N														
2-7/16	P3CL239N														
60.00	P3CL2M60N	68.26	190.50	241.30	77.72	63.50	16.00	28.60	136.50	119.13	27.00	14.27	52.32	60.96	5.00

\*Also available in 2-bolt flange blocks, 4-bolt flange blocks, & wide slot take-ups.

For more information about Rexnord products, programs, and services, contact your Rexnord Customer Focus Team today at 866-REXNORD (866-739-6673).



### Rexnord Bearing Group

7601 Rockville Road, Indianapolis, IN 46214

P: 317-273-5500 • F: 317-273-5620

www.rexnord.com

### Load Ratings, Speed Limits

Size Code	Shaft Size (in)	Co Basic Static Capacity (lbs)	BDC Dynamic Capacity (lbs)	Approximate Speed Limit (rpm)*		
				N Seals	H Seals	E3 Seals
204	3/4"	1,480	2,450	7,500	10,000	---
205	1"	1,760	2,680	6,800	9,600	1,000
206	1 3/16"	2,530	3,720	5,600	8,000	---
207	1 7/16"	3,440	4,910	4,800	6,850	700
208	1 1/2"	4,460	5,550	4,500	6,000	650
209	1 3/4"	4,590	6,250	4,000	5,330	600
210	1 15/16"	5,220	6,600	3,600	4,800	550
211	2 3/16"	6,570	8,300	3,200	4,360	500
212	2 7/16"	8,080	10,030	3,000	4,000	450

\*Single Lip (N), Labyrinth Clearance Seal (H), Triple Lip (E3).