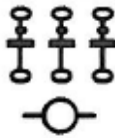
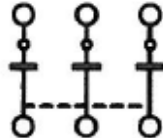
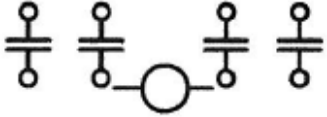




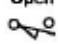
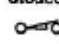
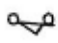

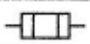
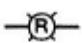



Wiring Diagram Symbols

Device	Symbol
AC Solenoid Type Contactors	 3 Pole
Manually Operated Contactors	
Control Relay	 (4 Pole Shown)
Thermal Element Actuating Device	
Anti-Plugging Switch	

Wiring Diagram Symbols

Device	Symbol												
Float Switch	<p>Close on Rising Level</p>  <p>Open on Rising Level</p> 												
Limit Switches	<p>Normally Open</p>  <p>Normally Closed</p>  <p>Held Closed</p>  <p>Held Open</p> 												
Fuse													
Indicating Lights	 <p>Letter indicates characteristic</p> <table border="0"> <tr> <td>A - Amber</td> <td>OP - Opalescent</td> </tr> <tr> <td>B - Blue</td> <td>P - Purple</td> </tr> <tr> <td>C - Clear</td> <td>R - Red</td> </tr> <tr> <td>G - Green</td> <td>W - White</td> </tr> <tr> <td>NE - Neon</td> <td>Y - Yellow</td> </tr> <tr> <td>O - Orange</td> <td></td> </tr> </table>	A - Amber	OP - Opalescent	B - Blue	P - Purple	C - Clear	R - Red	G - Green	W - White	NE - Neon	Y - Yellow	O - Orange	
A - Amber	OP - Opalescent												
B - Blue	P - Purple												
C - Clear	R - Red												
G - Green	W - White												
NE - Neon	Y - Yellow												
O - Orange													
3-Phase Squirrel-Cage Induction Motor													
Single-Phase Motor	